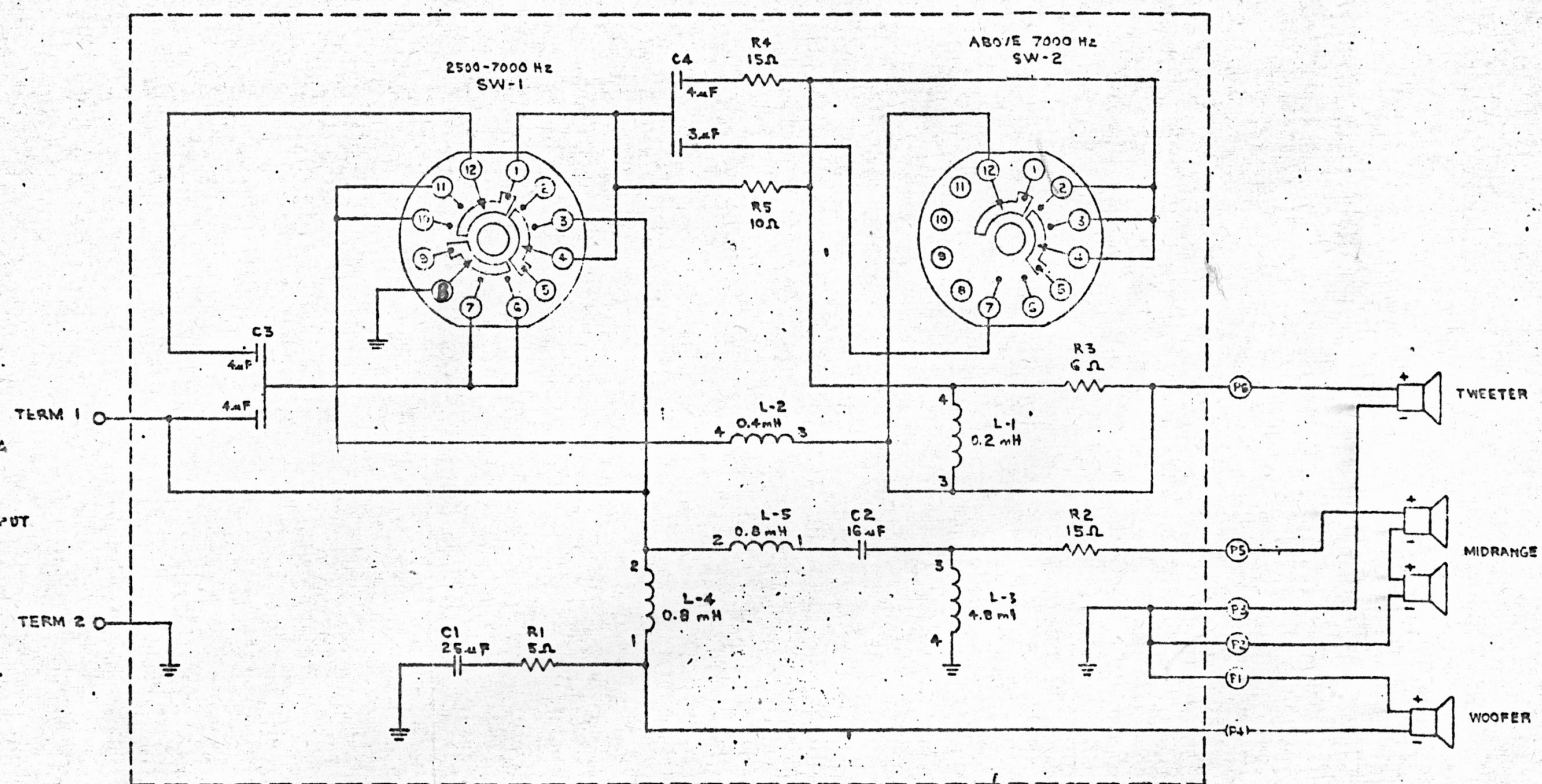


REV NO	DESCRIPTION	DATE	BY	CHK
1	P.F. E-F-SLL	12-22-69	4 68	P.M



DO NOT REMOVE OFFICE COPY

NOTES:

1. ALL SWITCHES VIEWED FROM KNOB END OF SHAFT AND ARE SHOWN IN CCW POSITION (12C) CLOCKWISE ROTATION WILL GIVE DEFFENCE-NORMAL-INCREASE POSITIONS.
2. ALL RESISTORS ARE 5% TOLERANCE, 5 WATT WIRE WOUND TYPE.
3. ALL CAPACITORS ARE 50 VOLT NON POLAR ±20% TOLERANCE.

		KLH RESEARCH AND DEVELOPMENT CORP. 30 CROSS STREET CAMBRIDGE, MASSACHUSETTS, 02139	
		SCALE: _____ DATE: 12-22-69 DRAWN BY: P.M.	APPROVED BY: _____ DATE: _____ CHECKED BY: P.M.
CROSSOVER, M5 (XON-1)			
PART AND/OR FINISH: _____		DIMENSIONS: SEE DRAWING FOR TOLERANCES AND FINISHES.	